



Product availability: Stock - Normally stocked in distribution facility



## Main

Range of Product	Modicon
Product or Component Type	Ethernet TCP/IP managed switch
Concept	Transparent Ready
Communication Port Protocol	Ethernet TCP/IP SSH HTTP HTTPS SNMP RS232 SFTP SCP LLDP Telnet SNTP MRP (Media Redundancy Protocol)
Port Ethernet	100BASE-FX - 2 fiber optic 10/100BASE-TX - 4 copper cable
Maximum number of switches in cascade	Unlimited
Cybersecurity	Port hardening IP-based port security MAC-based port security Port-based access control Role-based access control RADIUS assignment HTTPS DoS prevention VLAN-based ACL Audit trail SNMP logging Pre-login banner

The information provided in this documentation contains general descriptions and/or technical characteristics of the performance of the products contained herein. This documentation is not intended as a substitute for and is not to be used for determining suitability or reliability of these products for specific user applications. It is the duty of any such user or integrator to perform the appropriate and complete risk analysis, evaluation and testing of the products with respect to the relevant specific application or use thereof. Neither Schneider Electric Industries SAS nor any of its affiliates or subsidiaries shall be responsible or liable for misuse of the information contained herein.

## Complementary

Integrated connection type	Duplex SC fiber optic Shielded RJ45 copper cable
Transmission support medium	Single mode optical fiber fiber optic Twisted shielded pairs cable CAT 5E copper cable
Maximum cable distance between devices	328.08 Ft (100 m) copper cable
Optic fiber length	20.19 Mile (32.5 km) 9/125 µm
Attenuation	0...16 DB 9/125 µm)
Ethernet service	Configuration via web server VLAN Multicast filtering Data stream control IGMP Snooping SNMP-Traps and SYSLOG
Communication Service	TFTP Quality of Service (QoS) Port monitoring Port mirroring Address conflict detection
Diagnostics run time	Signal contact Self test MAC notification
Maximum number of switches in a ring	50
Redundancy	HiPER ring RSTP Link aggregation Link backup Redundant network coupling
[Us] rated supply voltage	12...24 V
Supply voltage limits	9.6...32 V DC SELV
Power consumption in W	7 W
Electrical connection	Removable connector 6 ways power supply
Mounting Support	35 mm symmetrical DIN rail
Marking	CE CULus RCM
Function Available	Security status Alarms (Traps) System information Report
Local signalling	For P1 P2 power supplies 1 dual colour LED (green/yellow) For device status 1 dual colour LED (green/red) For memory key status 1 dual colour LED (green/yellow) for channel diagnostic 1 dual colour LED (green/yellow)
Alarm output	1 voltfree contact 1 A
Alarm function	Power supply fault Data link status Switch fault High temperature Redundancy ring fault Incorrect configuration External memory removed
Ethernet cabling system	TF switches
Width	2.24 In (57 mm)
Height	5.43 In (138 mm)
Depth	4.37 In (111 mm)
Net Weight	0.93 Lb(US) (0.42 kg)

## Environment

Ambient Air Temperature for Operation	32...140 °F (0...60 °C)
Relative Humidity	1...95 % non-condensing
IP Degree of Protection	IP30
Directives	2014/35/EU - low voltage directive 2014/30/EU - electromagnetic compatibility
Standards	UL 61010 EN/IEC 61131 EN/IEC 62368-1
Product certifications	CE UL RCM DNV-GL

## Ordering and shipping details

Category	18121-MODICON MANAGED SWITCH
Discount Schedule	PC11
GTIN	3606481463272
Number of Units in Package 1	1
Package 1 Weight	19.26 Oz (546 g)
Returnability	No
Country of origin	DE

## Packing Units

Unit Type of Package 1	PCE
Package 1 Height	6.30 In (16 cm)
Package 1 Width	2.36 In (6 cm)
Package 1 Length	9.45 In (24 cm)
Unit Type of Package 2	S04
Number of Units in Package 2	20
Package 2 Weight	25.30 Lb(US) (11.478 kg)
Package 2 Height	11.81 In (30 cm)
Package 2 Width	15.75 In (40 cm)
Package 2 Length	23.62 In (60 cm)

## Offer Sustainability

Sustainable offer status	Green Premium product
California proposition 65	WARNING: This product can expose you to chemicals including: Lead and lead compounds, which is known to the State of California to cause cancer and birth defects or other reproductive harm. For more information go to <a href="http://www.P65Warnings.ca.gov">www.P65Warnings.ca.gov</a>
REACH Regulation	<a href="#">REACH Declaration</a>
REACH free of SVHC	Yes
EU RoHS Directive	Pro-active compliance (Product out of EU RoHS legal scope) <a href="#">EU RoHS Declaration</a>
Mercury free	Yes
RoHS exemption information	<a href="#">Yes</a>
China RoHS Regulation	<a href="#">China RoHS Declaration</a>
Environmental Disclosure	<a href="#">Product Environmental Profile</a>
Circularity Profile	<a href="#">End Of Life Information</a>
WEEE	The product must be disposed on European Union markets following specific waste collection and never end up in rubbish bins.

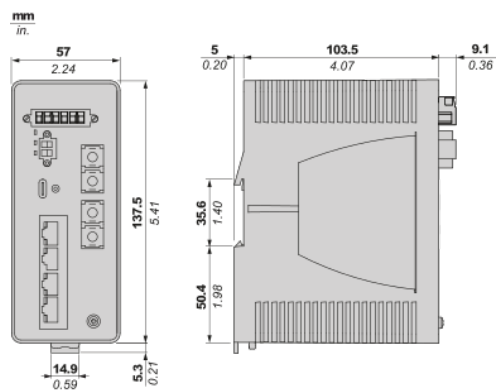
Contractual warranty

---

Warranty	18 months
----------	-----------

---

Dimensions



Product Life Status : Commercialised